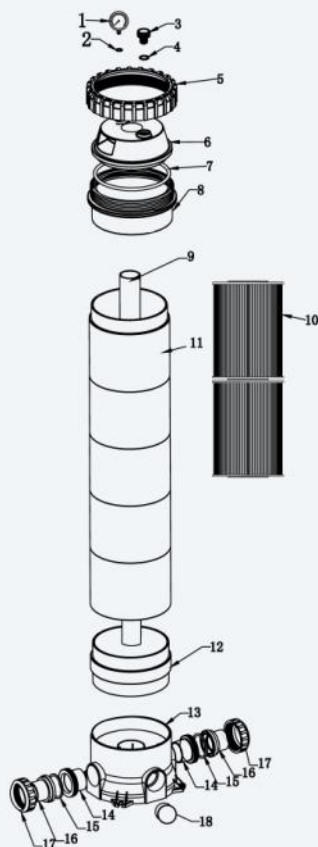


REPLACEMENT PARTS OF CARTRIDGE FILTER

Item	Description	Qty	Part No
1	Pressure Gauge (350 kpa)	1	020131
2	O'ring	1	020132
3	Exhaust screw	1	090130
4	O'ring	1	090131
5	Big nut for cartridge filter	1	090101
6	Cover for cartridge filter	1	090102
7	O'ring	1	090103
8	Upper part of cartridge filter	1	090104
9	PVC pipe		090106
10	ELEMENT FOR CF25 ELEMENT FOR CF50 ELEMENT FOR CF75 ELEMENT FOR CF100 ELEMENT FOR CF150 ELEMENT FOR CF200		0901072
11	Long positioning pipe		090108
12	Short positioning pipe	1	090109
13	Base for cartridge filter	1	090116
14	Jointer with tooth head	2	090117
15	O'ring	2	090118
16	1.5" Union Head (imperial standard)	2	09011901
	1.5" Union Head (metric standard)	2	09011902
	2" Union Head (imperial standard)	2	09012001
	2" Union Head (metric standard)	2	09012002
17	2" nut	2	090121
18	Plug	2	090122

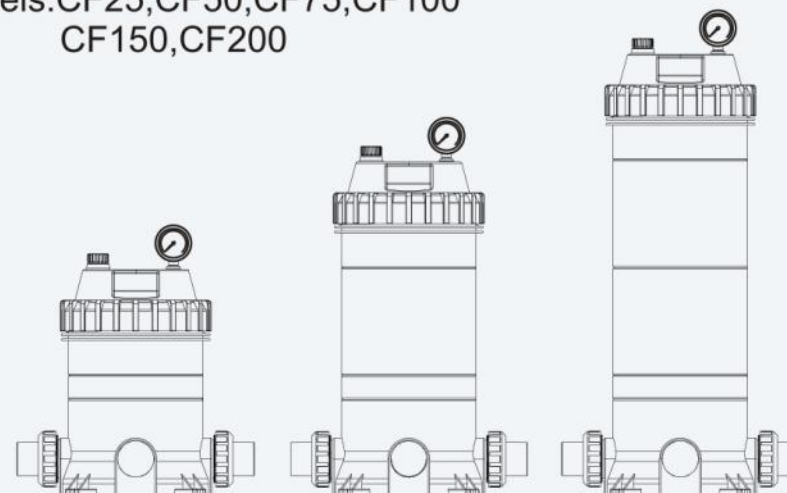


WARNING

- ⚠ THIS FILTER OPERATES UNDER HIGH PRESSURE. WHEN ANY PART OF THE CIRCULATING SYSTEM (e.g., CLAMP, PUMP, FILTER, VALVES, ETC.) IS SERVICED, AIR CAN ENTER THE SYSTEM AND BECOME PRESSURIZED. PRESSURIZED AIR CAN CAUSE THE LID OR VALVE TO BE BLOWN OFF WHICH CAN RESULT IN SEVERE INJURY, DEATH, OR PROPERTY DAMAGE
- ⚠ TURN PUMP OFF BEFORE CHANGING VALVE POSITION.
- ⚠ TO PREVENT DAMAGE TO THE PUMP AND FOR PROPER OPERATION OF THE SYSTEM, CLEAN PUMP STRAINER AND SKIMMER BASKETS REGULARLY.
- ⚠ DO NOT UNSCREW SCREWS OF FLANGE CLAMP WHILE PUMP IS RUNNING.

CARTRIDGE FILTER

Models: CF25, CF50, CF75, CF100
CF150, CF200



The installation of this product should be carried out by a person qualified in swimming pool plumbing requirements, following the installation instructions provided in this manual. Please pass these instructions on to the owner of this equipment.

YOUR RELTECH CARTRIDGE FILTER

Congratulations on your purchase of a quality product from the range of pool and spa equipment available from Reltech Australia. You are assured of many years of reliable and efficient performance from your Reltech Cartridge Filter which is backed by a 2-year tank warranty.

Reltech Cartridge Filters have been specifically designed for the filtration of spa and swimming pool water. They should not be used for any other purpose without first consulting your Reltech dealer.

Reltech Cartridge Filters provide economy, high performance and convenience in a well-designed pressure filter. The polyester element can be quickly removed for rinse cleaning without water loss. Reltech Cartridge Filters feature large filter areas, which ensure even water distribution, peak filtration performance and longer filter cycles.

The corrosion-resistant construction of the filter provides long life and durability. Take care to match the pump and filter capacities to gain maximum performance and efficiency.

THE SPARKLING CLEAR WATER DIFFERENCE

Cartridge filtration is an effective trouble-free proven method of filtration. Pool water enters the filter and passes through a polyester single element cartridge. Suspended particles are trapped and the water is returned to the pool. As the build-up of dirt in the element increases, the water pressure rises and the flow decreases. When the pressure reaches an unacceptable level, the element must be removed and cleaned (spray washing with a common garden hose is generally sufficient)

INSTALLATION AND OPERATING INSTRUCTIONS

LOCATION

The filter should be placed in its permanent location, preferably as close to the pool or spa as possible. Position the filter tank and pump on a level concrete slab or similar base. Allow sufficient space around the filter for routine maintenance and provide for adequate ventilation and drainage. Place the pump in position on the slab and locate the filter alongside with the appropriate pump inlet connection orientated towards the pump. Refer to the 'Specifications' section for the minimum clearance measurements required for each model.

WEATHER PROTECTION

Reltech cartridge filters are constructed of corrosion resistant materials. However, to ensure years of reliable performance, it is recommended that the filtration system be adequately protected from the weather.

ASSEMBLY

Assemble the pressure gauge to the filter lid using teflon tape on the male thread. Do not over tighten.

PIPE CONNECTIONS

Piping should be supported independently and not impose heavy loads on the filter or pump. Use 40mm (1-1/2") or 50mm (2") PVC pipe for pump and pool return lines. 50mm (2") should always be used if length of piping is over 15mm. Reltech cartridge filters are supplied with quick connect couplings suitable for 40mm (1-1/2") ID pipe or 50mm (2") OD fittings. If the pump and filter are located below pool water level, it is necessary to fit isolating valves in the pipe between the pump and the pools, and in the return line from the filter to the pool.

1. Pump to filter

Reltech cartridge filters are equipped with two inlet ports marked 'INLET'. Select the inlet port most suitable for the installation and plug the other inlet port with blanking cap provided. Using quick connect couplings, connect the pool pump delivery piping to the selected inlet port couplings, connect the pool pump delivery piping to the selected inlet port. Tighten by hand only. Ensure the O'ring on the fitting is clean, lubricated with O'ring lubricant and in the correct position.

2. Filter to pool Return

Using quick connect couplings, connect the pool return piping to the filter fitting marked 'OUTLET'. Tighten the fitting by hand only. Ensure the O'ring on the fitting is clean, lubricated with O'ring lubricant and in the correct position.

The filter base is provided with four mounting holes to enable it to be secured, if required.

FILTER OPERATION

1. Make sure the pump is primed according to manufacturer's directions .
2. Be sure all valves are open on suction and discharge lines. Ensure the air bleed valve on the filter lid is open and the lid lock ring is in place and secure.
3. Start the pump. Close the air bleed valve when water is expelled.
4. To determine the correct operating conditions with a clean filter, check that the pressure gauge reading is 80kPa (11 PSI) or below.

5. Record the pressure gauge reading or mark the needle position on the face of the pressure gauge.
6. Operate the filter for a sufficient time to circulate the total pool water volume daily. The filter should also be operated at all times the pool is in use and for about one hour afterwards. During winter, the running time may be reduced. Filter operating requirements will vary for spa applications, depending upon the system design, type and size of spa. Consult your builder or spa supplier.
7. When the pressure gauge reading is 50-70kpa higher than the 'clean filter' reading as in (4) above, it is time to clean the cartridge element (see' Cartridge Cleaning Procedure)

CARTRIDGE CLEANING PROCEDURE

When the filter gauge reading is 50-70kpa above the "clean filter gauge reading", cleaning of the single element cartridge is required. To perform the cleaning procedures see below:

1. Switch off the pump.
2. Close isolating valves on suction and discharge lines where fitted.
3. Open the air bleed valve on the filter lid, unscrew the lock ring and remove the filter lid.
4. Lift out the cartridge element.
5. In most cases the element can be easily cleaned with a garden hose, using good velocity sprayed directly on the pleats.

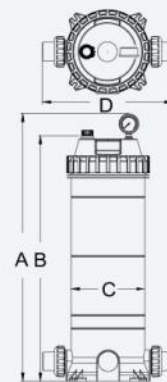
NOTE

Algae, calcium, clay, suntan oil and body oils can form a coating on the element which may not be easily removed with normal hosing . These materials can be removed by soaking the element in a de-greaser and /or descaler. Your local Reltech dealer will be able to recommend suitable products.

CARTRIDGE RE-ASSEMBLY INSTRUCTION

1. Install the cartridge/s and center pipe so that it is located in the bottom spigot.
2. Ensure the filter lid 'O' ring is clean, lubricated with 'O' ring lubricant and located in the bottom groove.
3. Replace the lid and press firmly in place. Screw down the lock ring, hand tight is sufficient-DO NOT OVERTIGHTEN.
4. Make sure the pump is primed according to manufacturer's directions.
5. Ensure all valves are open on suction and discharge lines.
6. Start the pump.
7. Close the air bleed valve when all air has been expelled.

SPECIFICATIONS



DIMENSION TABLE

Model	High mm A	High mm B	Diameter mm C	Diameter mm D	Filtration Area (m ²)	Max Flow Rate (m ³ /h)
CF25	445	387	225	397	2.25	5.5
CF50	625	567	225	397	4.63	11.4
CF75	805	747	225	397	7.00	17
CF100	985	927	225	397	9.38	22.9
CF150	1165	1107	225	397	13.71	33.4
CF200	1345	1287	225	397	16.81	40.9