

AQUAQUIP

EvoMAX LED Underwater Lighting



The ultimate in wet-niche pool lighting with a wide 166mm illumination surface whilst maintaining a flush profile. The one-piece diffused acrylic lens extends beyond the dress ring to provide increased beam spread and side-lighting effects.

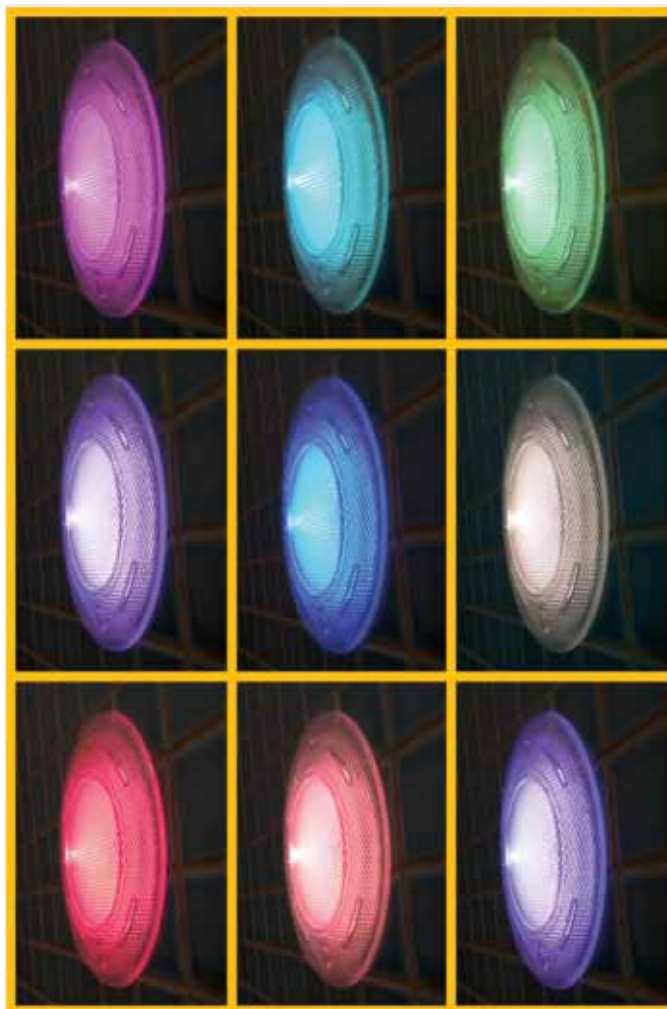


www.aquaquip.com.au

Aqua-Quip EvoMAX LED Pool Lights

for New Concrete Pools

- Low profile, compact niche light.
- Stainless Steel Dress Ring available.
- Super bright, energy efficient, long life.
- The innovative Quick Connect Plug Kit is supplied fitted to the cable – allowing the cable to be detached from the pool light, simplifying the installation process.
- Available in fixed colours of white, blue or green as well as the multi-colour option which includes the integrated Colour Selection Palette allowing the user to choose from an infinite variety of fixed colours and programming modes.



SPECIFICATIONS:

Nominal Supply Voltage: 12v AC 50/60 Hz

Power Consumption (white, blue, green): 25 VA max.

Power Consumption (Multi-Colour): 30 VA max.

Light Colour: White >5,000K, Blue 475nm, Green 525nm

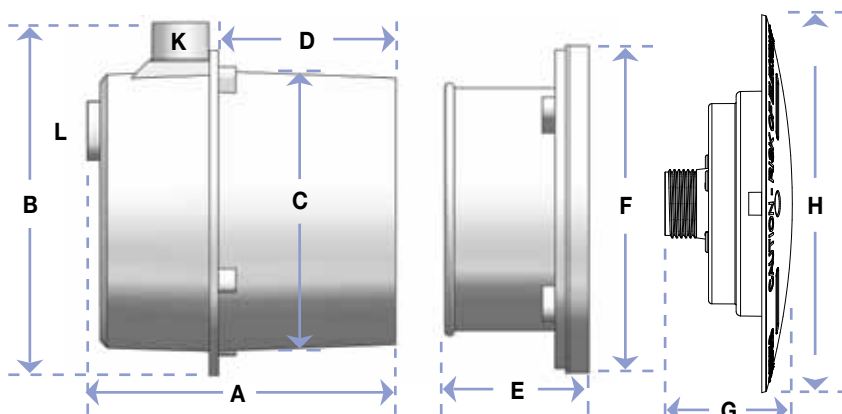
Fault Protection: Thermal cutout. Voltage Transient clamping

Protection Rating: IPX8 Pressure Watertight

Stainless Steel Option: Yes, PN:MXA056

Cable Lengths: 20m, 30m, 40m.

EvoMAX Flush Mounted Pool Light – Concrete



Dimensions for the major components of Aqua-Quip EvoMAX LED Pool Lights are obtained by cross-referencing the relevant code against the table.

CODE	DIMENSIONS (mm)
EVO MAX	
A	136
B	154
C	120 max
D	79
E	63
F	143
G	54
H	166

K Accepts 20mm conduit or 25mm socket

L Accepts 20mm conduit or 25mm socket – specify when ordering.

COPYRIGHT AUTOMATIC POOL CLEANERS (AUSTRALIA) PTY LTD EvoMAX_2p_0515



Automatic Pool Cleaners (Australia) Pty Ltd

40 Percy Street, Auburn NSW 2144
Ph: 02 9643 8338 Fax: 02 9643 8448
www.aquaquip.com.au

