

GX Series Multi-Element Cartridge Filter

DELIVER SUPERIOR ULTRA CLEAR WATER

For residential & commercial pool and spa



User friendly

- Indicative pressure gauge tells you when to service
- Optional removable, easy-grip handle
- Knee-height tank base facilitates easy cartridge replacement

Trouble-free maintenance

- 3-session clamp kit allows removing and installing the top tank quickly
- Large water drain makes fast, easy winterisation and simple cleaning and rinsing with a garden hose.

Eco-Friendly

Multi-element provides an enormous surface area to block more dirt thus require less cleaning. Also, no backwashing is needed like sand filters. It can save a large amount of water every year.

Model:
ICF430

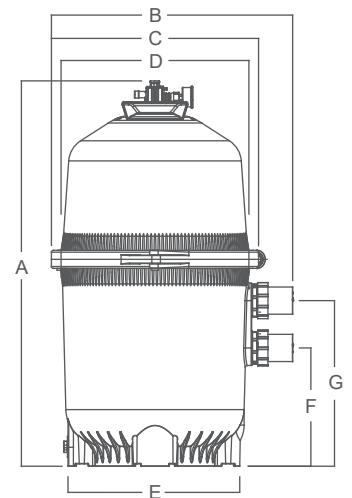
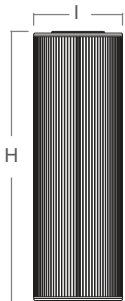


Product Information:

Code	Model with Standard Element	Code	Model with Anti-microbial Element	Filter Area		Flow Velocity		Max Flow Rate			In / Outlet Connections		A	B	C	D	E	F	G
				ft ²	m ²	gpm/ft ²	m ³ /h/m ²	gpm	lpm	m ³ /h	GB(mm)	ANSI	mm	mm	mm	mm	mm	mm	mm
9140406	ICF430	9140414	ICF430S	430	39.95	0.349	0.852	150	568	34.1	GB50	1.5"/2"	1035	648	556	504	462	317.5	444.5
											GB63	2"/2.5"							

Cartridge Filter Element:

Code	Model (Standard)	Code	Model (Anti-microbial Element)	No. of Element	H mm	I mm	Micron μ m	Fold Number
914100009	ICF430-CE	914100023	ICF430S-CE	4	647	\varnothing 178	15	197



Galaxy Series Filter is equipped with :

1. universal standard of union connection
2. pressure gauge
3. cartridge filter element

User friendly

- 4 x mounting holes
- Easy-grip lid handle
- Indicative pressure gauge tells you when to service
- Knee-height tank base facilitates easy cartridge replacement

Trouble-free maintenance

- Locking ring with quick-release latch allows removing and installing the top tank quickly.
- Large water drain makes fast and easy winterisation.
- Simple cleaning and rinsing the filter element with a garden hose.

Eco-Friendly

Big one-piece cartridge element provides a large filtration surface for trapping more dirt and debris. Less cleaning required, and unlike sand filters, needs no backwashing thus saving water and its precious chemicals.

Model:
ICF200

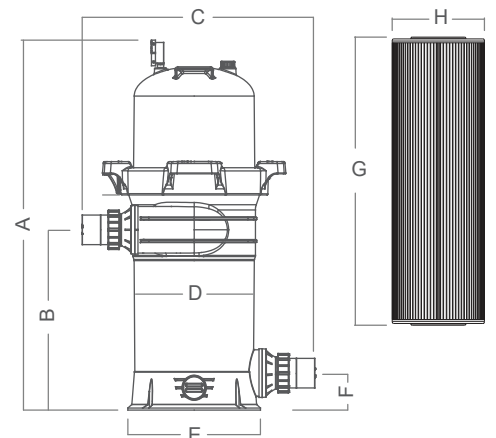


Product Information:

Model with Standard Element	Filter Area	Flow Velocity	Max Flow Rate	In / Outlet Connections		A mm	B mm	C mm	D mm	E mm	F mm					
				GB(mm)	ANSI											
ICF200	ICF200S	200	18.58	0.6	1.466	120	454	27.2	GB50	1.5"/2"	1033	444.5	588	304	335	91
									GB63	2"/2.5"						

Cartridge Filter Element:

Model (Standard)	G mm	H mm	Micron μ m	Fold Number
ICF200-CE	717	Ø267	15	187



Galaxy Series Filter is equipped with :

1. universal standard of union connection
2. pressure gauge
3. cartridge filter element