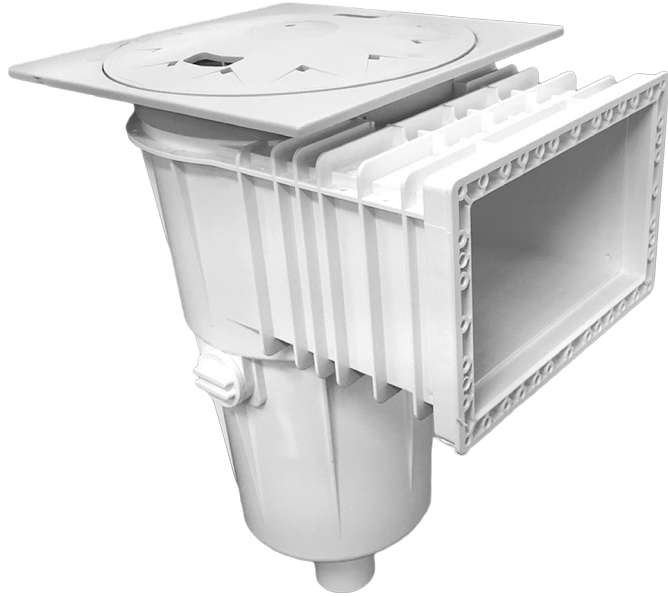


OWNER'S MANUAL



MEGASKIM

Pool Skimmer

INSTALLATION & OPERATION MANUAL

Should the installer, operator or owner be unfamiliar with the correct installation or operation of this type of equipment you should contact the distributor/manufacturer for the correct advice before proceeding with the installation or operation of this product.

PENTAIR MEGASKIM POOL SKIMMER

Foreword

Congratulations on purchasing a Pentair MEGASKIM Pool skimmer for your swimming pool. This system is designed for robust reliability and easy operation to give you many years of trouble free service.

Please read the instructions thoroughly before operating your unit. If you have any concerns or require any further assistance, then please do not hesitate to contact our friendly staff or any of our Pentair distributors.



TABLE OF CONTENTS

Overview	_____	page5
Installation	_____	page6
Operation	_____	page7
Maintenance	_____	page7
Dimensions	_____	page8
Spare parts	_____	page 9
Troubleshooting	_____	page 10

WARNINGS



IMPROPER INSTALLATION OR USE OF THIS PRODUCT MAY PRESENT A RISK OF HAIR OR BODY ENTRAPMENT AND DROWNING. Install this equipment in accordance with the instructions provided. Use only with the components and mounting hardware provided.



FAILURE TO FOLLOW THESE INSTRUCTIONS AND/OR USE WITH COMPONENTS NOT PROVIDED BY PENTAIR AND NOT INTENDED TO BE USED WITH THIS PRODUCT MAY RESULT IN IMPROPER POSITIONING OR FUNCTIONING OF SKIMMER AND MAY CAUSE SEVERE PERSONAL INJURY OR DEATH.

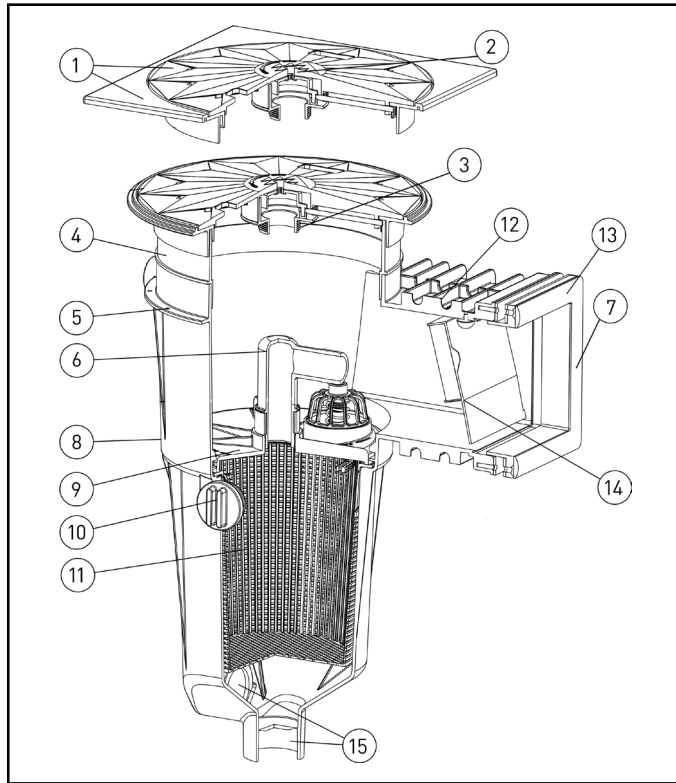


The body of this skimmer is constructed of ABS. Some PVC jointing compounds are incompatible with ABS possibly causing failure of this product. It is recommended that only 'P' (pressure) type plumbing cement is used. Check compound suitability prior to use.



Pool pump suction is hazardous. Entrapment against pool suction outlet can result in drowning or disembowelment. Never use pool or spa unless all outlet covers are correctly installed, fastened with screws and intact. Never sit or lean up against suction outlets.

MEGASKIM SKIMMER OVERVIEW



1. Deck lid available with both square and round dress rings.
2. Locking child safe lid complying to AS1926.3. Opens with 1/4 turn using phillips head screwdriver.
3. Threaded plate on underside of lid provides convenient place for keeping vacuum plate when not in use.
4. Stepped extension ring for raised decks. Stackable up to desired height. Available separately.
5. Tie off holes for positive positioning of skimmer to steel cage.
6. Included elbow for easy connection of manual vacuum hose.
7. Adjustable bypass valve for controlled flow of water over both weir and vacuum.
8. One piece body. No glue joints for potential leaks.
9. Vacuum plate with 1/4 turn locks into position.
10. Side ports on both sides allow connection of an auxiliary outlet (all auxiliary outlets must comply with AS1926.3).
11. Robust moulded basket locks in with bayonet action. Extra large for longer life between cleaning.
12. Bar locating scallops for positive spacing of throat flange to steel cage.
13. Escutcheon plate return, covers edge of fibreglass or vinyl pool walls without reducing effective areas of throat.
14. Weir fixed with pivot and spring loaded latch, easily removed from front or rear.
15. Moulded sockets for pipework, both horizontal and vertical 50mm.

INSTALLATION

For optimum skimming action, skimmer should be placed downwind to prevailing wind and water flow direction.

Assemble piping and pipe fittings to skimmer. All piping must conform to local and state plumbing and sanitary codes.

Long piping runs and elbows restrict flow. For best efficiency, use the fewest possible fittings and large diameter pipe (50mm/2" skimmers).

CAUTION

When gluing PVC pipe into an ABS Skimmer, you must use PVC primer and 'P' type PVC pipe cement. This will ensure PVC and ABS joint compatibility and a leak free joint.

CAUTION

For sealing skimmer ports, use only the plugs and o-rings provided. **DO NOT** use tapered metal plugs as this will void manufacturer's warranty. When using threaded plastic pipe fittings for skimmer hook up, use only silicone sealant and tighten fittings handtight plus 1-1/2 turns **MAXIMUM. DO NOT STRENGTHEN!** If skimmer must be bypassed for line pressure testing, use only commercially available test kits with o-ring sealing provisions or expansion plugs.

Support skimmer securely in position. Support locators on bottom of skimmer allow 1-1/2" or 2" PVC pipe to be used as a support. The deck ring collar has a friction fit that allows collars to be stacked upon each other to accommodate deck height as needed.

CAUTION

Ensure piping is adequately supported on undisturbed earth. If additional backfilling and tamping is necessary, do not stress pipe or skimmer port by lifting or moving pipe after skimmer port connections have been made.

Structural gunite/concrete should be applied in a monolithic pour, in conjunction with a cold joint.

INSTALLATION TIPS

Fibreglass / Vinyl Pools

- Skimmer box **MUST** be horizontal
- Top of the skimmer box mouth **Must** be at least 75mm below the top of the pool wall.
- Ground surrounding the skimmer box **MUST** be properly filled in and packed so the skimmer box is not squeezed into an oval shape by the surrounding ground. Using a bobcat or excavator for this purpose is not recommended.

Concrete Pools

- Skimmer box **MUST** be horizontal
- Use extension rings (available separately)
- Concrete surrounding the skimmer box **MUST** be properly reinforced.

If the Skimmer box is to be installed with the lid and dress Ring higher than the Skimmer body, Pentair recommends the use of an extension ring.

OPERATION

To obtain best skimmer performance, the pools hydraulic system must be designed to flow from 100lpm to 250lpm per skimmer. This ensures an adequate flow of water over the skimmer's weir. The amount of flow to the pump or from the main drain/equaliser line is regulated by the trimmer plate.

The water level of the pool should be maintained at approximately half way up the skimmer opening. The water level should not be allowed to get within 1" of the top or bottom of the opening. If the water level drops too far, air might enter the hydraulic system.



Air entering the hydraulic system could become trapped and pressurised in the system. Trapped air and improperly closed filters, pumps, chlorinators or other equipemnt could cause the equipment to separate, causing serious personal injury and/or major property damage.

MAINTENANCE

TO REMOVE SKIMMER BASKET:

Grip the brass handle and turn the basket a quarter turn anticlockwise. This will allign the lugs on the basket with the recess on the body of the skimmer. Lift up.

TO RE-INSERT SKIMMER BASKET:

Locate the lugs on the basket with the recess on the body, making sure that when the basket is turned a quarter turn clockwise the opening in the basket will align with the opening to the main drain in the skimmer. Push down and turn.

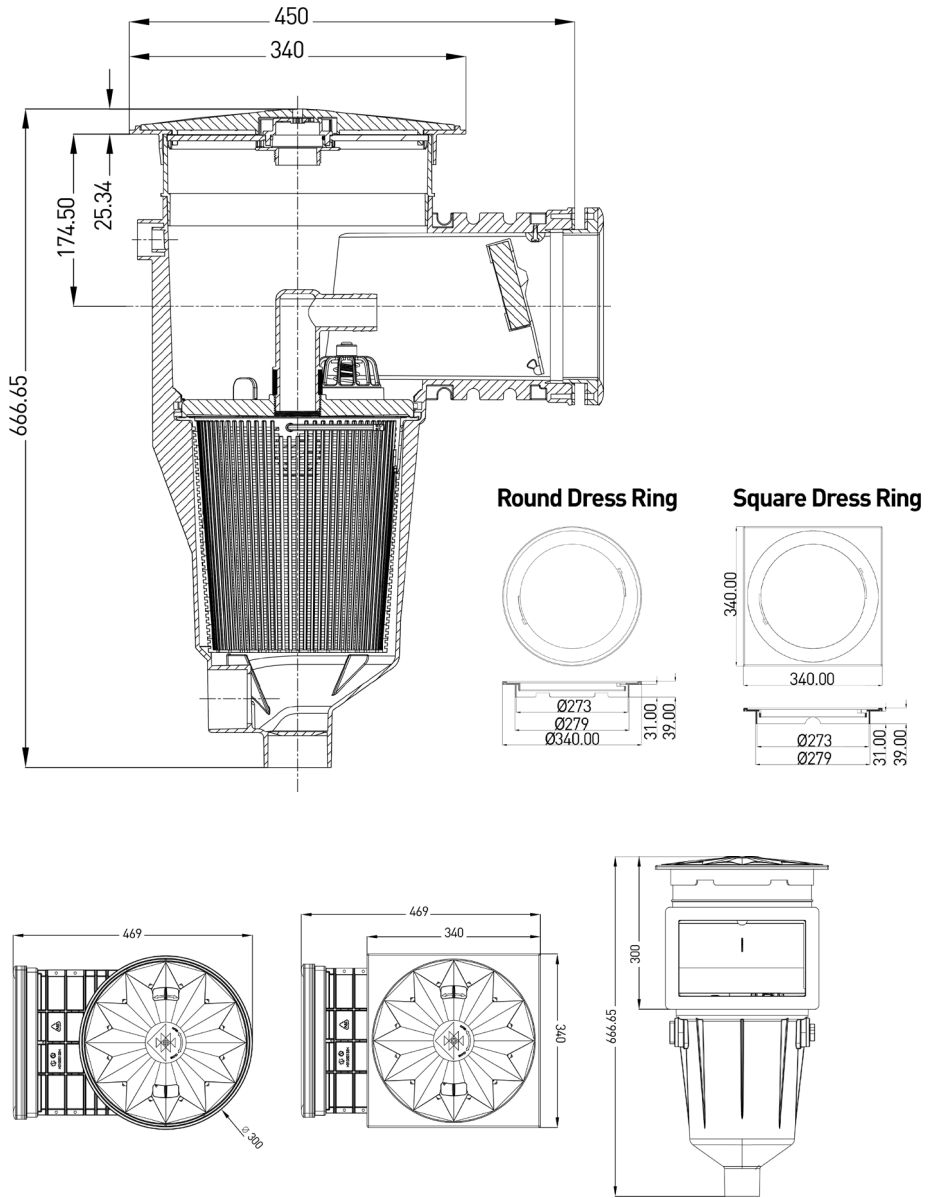
TO VACUUM:

Close the main drains. Fit the vacuum plate to the skimmer body above the basket by locating cut outs on the vacuum plate with the lugs inside the skimmer body. Push down and turn a quarter turn clockwise.

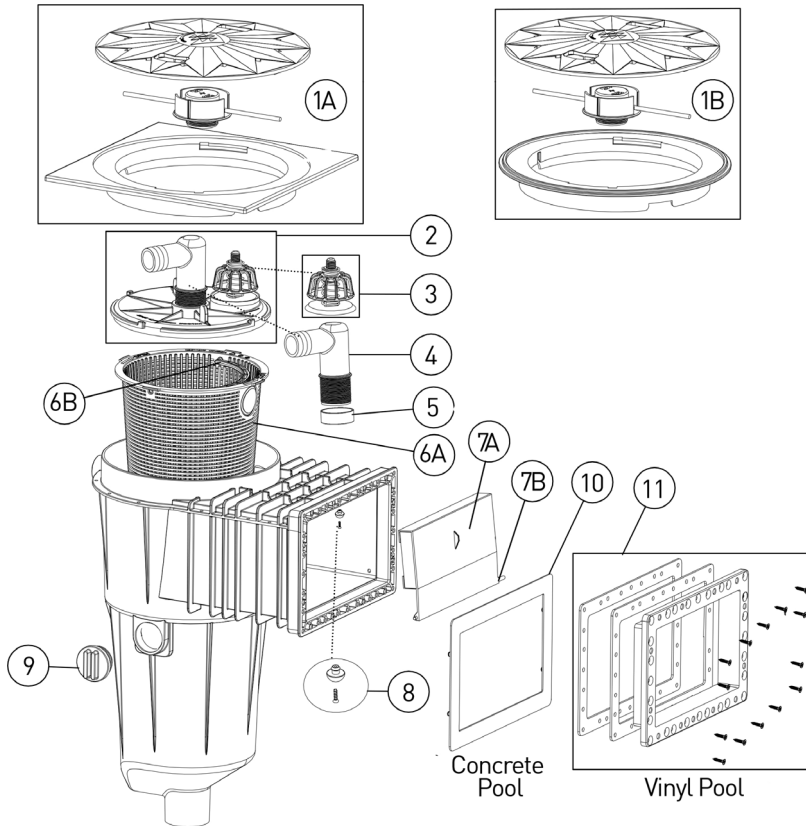
After vacuuming is completed remove the vacuum plate from the skimmer box. The main drain flow adjuster should be open during normal everyday running.

Note: *The vacuum plate should be left out of the skimmer box during day to day running.*

DIMENSIONS



SPARE PARTS



No.	Part No.	Qty.	Description
1A	810901	1	Deck lid & Square dress ring kit
1B	810902	1	Deck lid & Round dress ring kit
2	810914	1	Vac plate kit
3	810920	1	Flow valve kit
4	810936	1	Elbow vac port
5	810937	1	Washer vac port
6A	810915	1	Basket (includes handle)
6B	810919	1	Basket handle
7A	810916	1	Weir door kit (includes latch)
7B	810918	1	Latch weir door
8	810917	1	Weir door stopper
9	810935	2	Plug sideport
10	810921	1	Faceplate
11	810910	--	Flange fiberglass / Vinyl kit
Not shown	810911	--	Extension throat
Not shown	810912	--	Widemouth throat
Not shown	810934	--	Flange extension throat - Fibreglass / vinyl kit
Not shown	810933	--	Flange widemouth throat - Fibreglass / vinyl kit

TROUBLESHOOTING

Fault/Problem	Possible Cause	Remedy
Pool surface not clean, inadequate skimming effect.	Skimmer basket obstructed.	Clean Skimmer basket.
	Incorrect pool water level.	Raise/lower pool water level to recommended heights.
	Inadequate pool water circulation.	Position pool water fittings to increase surface circulation.
Pool surface clean, bottom dirty.	Main drain obstructed.	Clean main drain. Remove obstruction from main drain line.
	Inadequate pool water circulation.	Position pool water return fittings to increase circulation at bottom or pool.
Air returning to pool.	Low pool water level.	Raise pool water level to recommended height.

MEGASKIM

Pool Skimmer



IMPORTANT

Please attach your sales invoice/docket here as proof of purchase should warranty service be required.

Please do not return warranty form to Pentair Australia - Retain for your records.

Purchased from :

Purchase date : Serial No : Model No :



Head Office Pentair AU/NZ:

1-21 Monash Drive,
Dandenong South, VIC 3175

Australia

National customer service: Phone :1300 137 344
Fax :1800 006 688
National dealer locator: Phone :1800 664 266

Email: au.sales@pentair.com
Web: www.pentairpool.com.au

New Zealand

National customer service: Phone :0800 654 112
Fax :0800 806 642
National dealer locator: Phone :0800 664 269

Email: nz.sales@pentair.com
Web: www.pentairpool.com.au

International Australia/New Zealand

Phone :+61 3 9709 5800
Fax :+61 3 9709 5888

© Information contained here-in remains the property of Pentair Australia Pty Ltd.
Any reproduction, display, publication, modification or distribution is strictly prohibited
without the prior written permission of Pentair Australia Pty Ltd.

Disclaimer:

Every endeavour has been made to publish the correct details in this brochure.
No responsibility will be taken for errors, omissions or changes in product descriptions,
specifications. Pentair Australia reserves the right to change specifications.

L300253 0715