

EVO MAX LED LIGHTS FOR CONCRETE POOLS

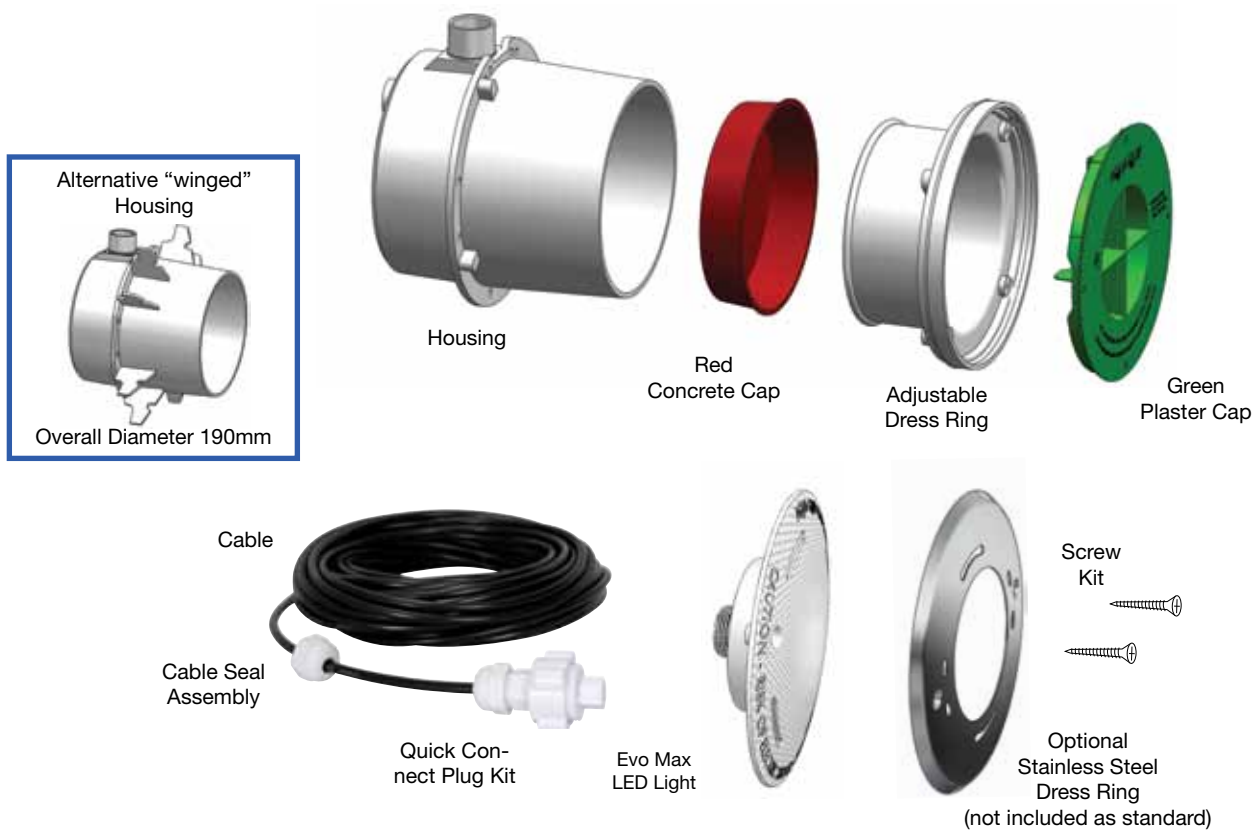
INSTALLATION INSTRUCTIONS

INSTALLER – READ ENTIRE INSTRUCTION SHEET BEFORE PROCEEDING TO INSTALL.

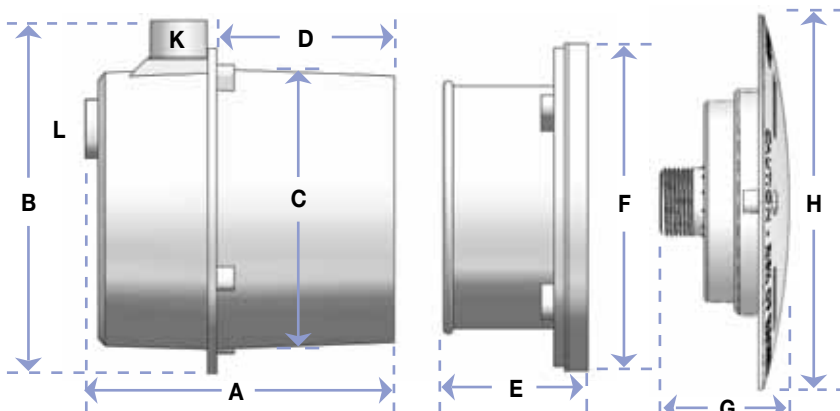
POOL OWNER – PLEASE KEEP THESE INSTRUCTIONS FOR FUTURE REFERENCE.

PLEASE NOTE
THESE INSTALLATION INSTRUCTIONS APPLY TO
AQUA-QUIP EVO MAX LED LIGHTS FOR CONCRETE POOLS ONLY.

Included in the package are the following items:



Evo Max Flush Mounted Pool Light – Concrete



Dimensions for the major components of Aqua-Quip Evo Max LED Pool Lights are obtained by cross-referencing the relevant code against the table.

CODE	DIMENSIONS (mm)
EVO MAX	
A	136
B	154
C	120 max
D	79
E	63
F	143
G	54
H	166

K Accepts 20mm conduit or 25mm socket

L Accepts 20mm conduit only if Conduit Fitting is factory fitted.

HOUSING INSTALLATION

Housing Installation – see Diagram 1

1 Evo Max Housing should be tied to the steel reinforcing, before concreting the pool. A **red Concrete Cap** is supplied to fit inside the front of the Housing prior to concreting.

2 The Housing is factory-fitted with a **Conduit Fitting**. On the exterior of the **Housing**, the **Conduit Fitting** will accept 20mm rigid PVC electrical conduit or 25mm socket. Do not use flexible conduit. Run the conduit above water level to form an anti-siphon loop.

Please note: Aqua-Quip can provide the **Housing** factory-fitted with the **Conduit Fitting** located at the rear of the **Housing**. This must be pre-ordered.

3 Use tie wire or cable ties through the holes on the outer perimeter of the **Housing** to securely fasten it to the steel reinforcing bars. Position the **Housing** so that the front will finish level with the concrete.

4 It is very important to locate **Housing** at a suitable location and depth to allow for future servicing of the pool light. Excavate sufficiently around the rear of the **Housing** to allow approximately 100mm of concrete to encase it. If pool is out of ground and fully formed, ensure the formwork allows for concrete to encase the **Housing**.

5 During pouring/spraying, concrete should be undercut around the front perimeter of the **Housing** to allow for a construction adhesive to be applied prior to the application of the internal pool surface.

6 Concrete should be applied to reduce the likelihood of a void occurring on the underside of the **Housing**. Once concrete has cured, construction adhesive must be applied around the **Housing** to seal it to the concrete.

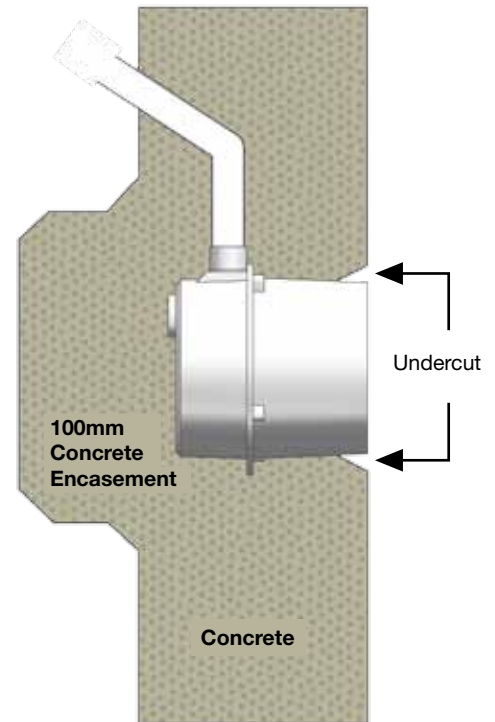


Diagram 1 – After Concreting

TECHNICAL SPECIFICATIONS

Nominal Supply Voltage:	12V AC 50/60 Hz
Voltage Tolerance:	+20%, -20%
Protection Rating:	IPX8 (to 2.0m depth)
Temperature Range:	0°C ~ +40°C water temperature
Power Consumption:	White, blue and green = 25 VA
Power Consumption:	SP4 Multi-Colour = 30 VA maximum
Light Output (typical):	White – 985 lumens, blue – 300 lumens, green – 595 Lumens
Fault Protection:	Power-cycle “run dry” thermal cut-out. Voltage transient clamping.

Evo Max LED Lights must only be operated underwater as they are water-cooled.

Install in an accessible location, ensure that sufficient cable is wound up inside the housing to allow the light to be floated to the deck level.

Evo Max LED Pool Lights should only be installed on a vertical pool surface. Up to 1.6m of cable can be wound up inside the Evo Max Concrete Housing.



DRESS RING INSTALLATION

Adjustable Dress Ring Installation –

After Concreting and Sealing (Diagram 2)

7 Remove **red-coloured Concrete Cap**. Use pvc glue or construction adhesive to secure the **Adjustable Dress Ring** inside the **Housing** to your required depth and alignment. If **Housing** protrudes out from the concrete, a maximum of 20mm can be cut off from the front. If the housing has been set back too far in the wall, then a special extension ring (P/N ASL 076) is available. The eyeball feature on the **Adjustable Dress Ring** allows adjustment so that the **Adjustable Dress Ring** face can be aligned flush with the anticipated pool interior finish even if the **Housing** is out of alignment. When gluing or securing the **Adjustable Dress Ring**, ensure that 2 of the screw holes are located horizontally.

8 Evo Max **Cable** can be drawn through, excess cable must be coiled up and stored inside **Housing**. The **Connector Cap** must remain on end of **Quick Connect Plug Kit**.

Important: Allow enough cable to enable pool light to be floated to pool deck.

Cable Seal Assembly is factory-fitted onto the black cable. Slide the **Cable Clamp, Seal, Washer** and **Cable Nut** up the cable and tighten onto the male thread that is fixed to the inside of the **Housing**. This will prevent water entering the conduit.

9 The **Adjustable Dress Ring** is now in position ready for the pool interior to be applied. Push on the **green-coloured Plaster Cap** into the **Adjustable Dress Ring** by lining up the arrows on the **Plaster Cap** with the screw provisions on the **Adjustable Dress Ring**, push in firmly. Pool interior should finish flush with the front face of the **Adjustable Dress Ring**.

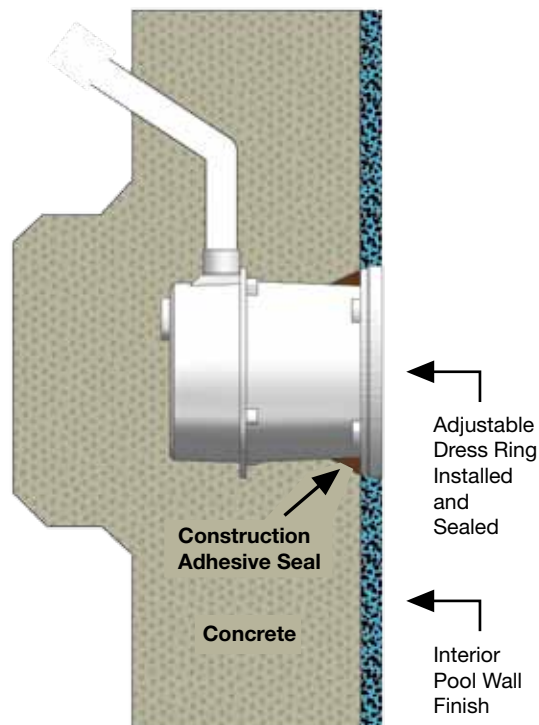
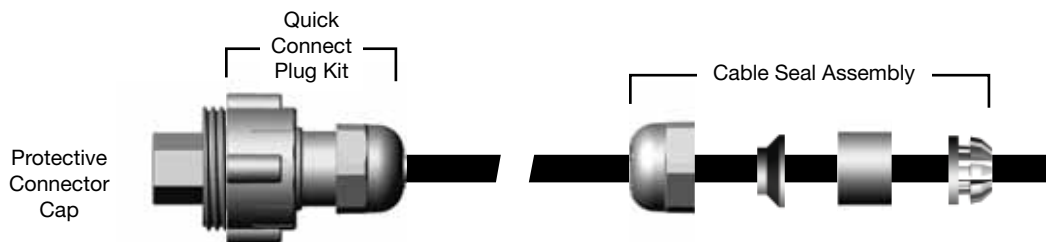


Diagram 2 – Sealing

EVO MAX CABLE AND QUICK CONNECT PLUG KIT



The Evo Max LED pool light cable is 2-core, .75mm² cable with an outer diameter of ±7mm.

It is supplied factory fitted with the Quick Connect Plug Kit and Protective Connector Cap. This allows the installer/builder to install the cable and build the pool without the need to connect the pool light until just prior to filling.

The cable is also supplied factory fitted with the Cable Seal Assembly. The components of the Cable Seal Assembly will slide up the cable, tighten and seal onto the male thread that is fixed to the inside of the housing, preventing pool water from entering the conduit.

POOL LIGHT INSTALLATION

Pool Light Installation

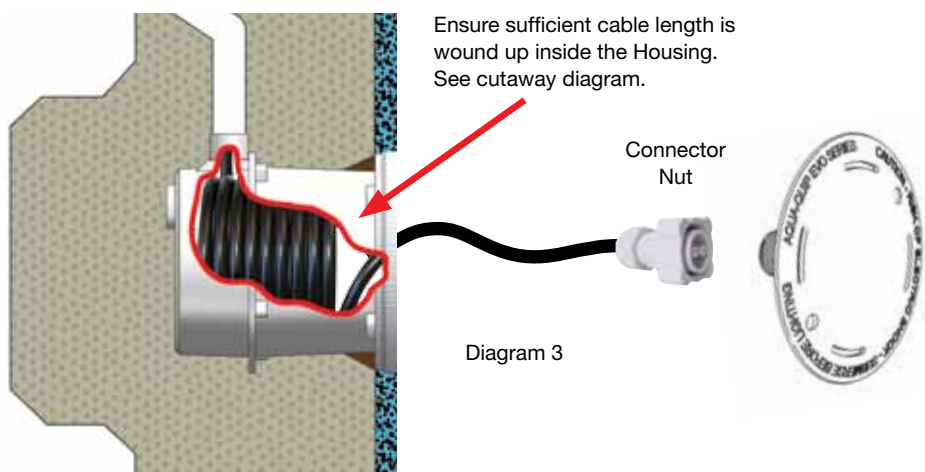
10 Remove **green-coloured Plaster Cap**. Clean any debris that may have entered the **Housing** and **Adjustable Dress Ring** during pool construction. Unwind Evo Max **Cable** and unscrew the white **protective Connector Cap** and remove it (retain for possible future use). Ensure the two O-rings are lubricated and in good order, clean any grit or dust that may be around the O-rings. Push the **Quick-Connect Plug Kit** into the rear of the Evo Max Pool Light and tighten **Connector Nut** firmly by hand. Insert and coil up excess cable into the **Housing**.

Evo Max self-locates onto the **Adjustable Dress Ring**, use two 7/8" CSK stainless steel screws provided to attach pool light to **Adjustable Dress Ring**, do not overtighten.

11 Fit optional Polished **Stainless Steel Trim Ring** if required, using the 1" CSK stainless steel screws provided in the Stainless Steel Trim Ring Kit.

12 Only turn pool light on when completely submerged under water.

The Evo Max LED Pool Light is factory-sealed and is not user-serviceable.



TRANSFORMERS

ELECTRICAL CONNECTION AND OPERATION

- Install Light(s) and Transformer(s) in accordance with AS/NZS 3000:2007 as amended.
- Aqua-Quip's extra low voltage Transformers have either 1, 2 or 4 x 12v secondary outputs, refer to Diagram.
- Dimming of EvoMAX LED Fixed Colour Lights (i.e. white, blue and green) is possible. Aqua-Quip recommends the HPM Leading Edge Dimmer Cat. 200L. EvoMAX Multi-Colour LED Lights cannot be dimmed.
- If your lights are EvoMAX Multi-Colour, then see included "LED Programming Instructions".



P/N: APL 511N
Output: 1 x 30VA
Runs 1 light



P/N: APL 512N
Outputs: 2 x 30VA
Runs up to 2 lights



P/N: APL 514N
Outputs: 4 x 30VA
Runs up to 4 lights

Hardwired transformers are also available upon request.

WARNING

Never stare directly at LED Pool Lights.
Prolonged direct exposure can cause eye damage.