

# Robo-Tek Robo-Plus V2 User Manual - Jan 2023

*Please read this manual carefully before using the Pool Cleaner*

## 1. Safety Warnings

- Before performing maintenance or service on the Pool Cleaner please ensure the power is disconnected to avoid personal injury or property loss.
- The Pool Cleaner is designed for use in swimming pools only. Any other use is prohibited, and no warranty will be provided.
- Do not swim in the pool whilst the Pool Cleaner is in use in order to avoid personal injury.
- Do not allow the Control Box to come in contact with water and it is recommended to be stored in a dry and shaded area, out of the weather.
- Do not cover the Control Box whilst Pool Cleaner is in use, to avoid overheating.
- When in use, the Control Box and Caddy Cart must remain 3 meters away from the edge of the pool.
- Do not use the Pool Cleaner if there is a chance of thunderstorm to avoid personal injury.
- Ensure the Pool Cleaner is fully submerged before turning the Control Box on. If the robot is not fully submerged, the control box will flash a green light (out of water error code) and the robot will need to be restarted.
- After use, make sure the Control Box is disconnected from the pool cleaner, manually rewind the lead and place on the caddy, then store robot on the caddy in a safe, dry and well-ventilated area.
- If the Pool Cleaner stops working, please refer to the "Troubleshooting section" of this manual. If you cannot find the root cause, please contact your local distributor.
- Do not lift the Pool Cleaner using the floating cable, as no warranty will be provided for cable misuse. Only lift the Pool Cleaner out of the water by using the Pool Cleaner handle. You can use the floating cable to pull the robot closer to the side of the pool but, do not lift the robot by the cable out of the water.
- Alternatively, you can drive the robot up the wall backwards (with the handle facing up towards you) grab, the handle as it surfaces, assist the robot over the top of the pool edge, then turn the robot off using the remote control.
- Remove the robot from the pool after use.
- Avoid direct sunlight when not in use.
- Do not use the Pool Cleaner more than 4hrs at a time.
- The optimum working temperature for the Pool Cleaner is between 10°C and 35°C ,
- Ensure the electrical outlet is protected by a ground fault interrupter (GFI) or an
- earth leakage interrupter (ELI).
- If the supply cord is damaged, contact your local distributor for guidance.
- Children should be supervised to ensure that they do not play with the appliance.
- This appliance can be used by children aged from 8 years and above and persons with reduced physical, sensory or mental capabilities or lack of experience and knowledge, if they have been given supervision or instruction concerning use of the appliance in a safe way and understand the hazards involved.
- Cleaning and user maintenance shall not be made by children without supervision.

## 2. Assembly

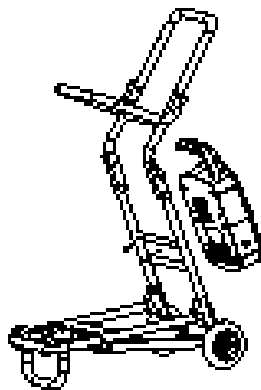
When you receive your Robo-Tek robot you will receive 2 boxes, 1 box will have the Robo-Tek robot inside and the other box will have the caddy for the robot.

Unpack the box containing the robot and remove the contents. The contents of the robot box will be as follows.

- a. Robo-Tek robot
- b. Control box
- c. Remote control
- d. 1x20 micron filter bag (A 70-micron filter bag will be already installed inside the robot).

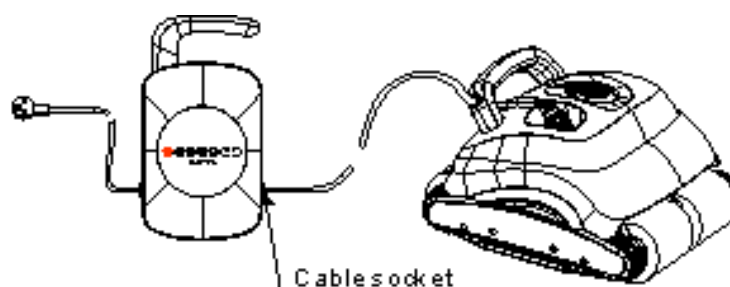
Unpack the box containing the caddy. The caddy box will have a caddy partly assembled and relevant nuts and bolts to complete the assembly. There will also be screws, two of which you will use to secure the control box to the rear of the caddy. There are a complete set of instructions on how to assemble the caddy within the caddy box.

Attach the control box to the caddy with the screws supplied. The control box is placed on the outside, towards the base of the caddy, there are two holes and two screws supplied to connect the control box to the caddy.

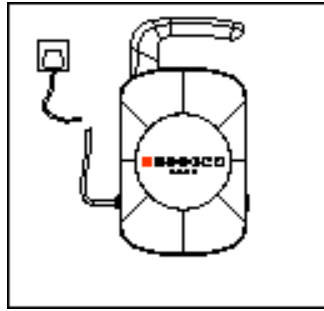


Unwind the blue floating cable and lay it out on the pool deck, in an "S" shape. During packing, the floating cable is wound tight, therefore you will have to manually unwind the cable before the first operating cycle commences. Removing the cable from the control box at the end of each cycle, is key to maintaining a tangle free cable.

Unscrew the socket safety cap and insert the floating cable plug into the socket of the Control Box.



Connect the Control Box to an outside AC power of 100v/240v 50/60Hz with a earth leakage detection device.



Note: The control box is water resistant, but not water proof, due to the cooling vents on the back. It is your responsibility to protect the control box from water damage, as water damage to the control box is not covered under the manufacturers warranty.

Please ensure the Control Box is placed in a dry, shaded area, when not in use.

### 3. Using the Robo for the first time

Place the robot in the shallow end of your pool, squeeze the 4 sponge wheels until no more air bubbles come out of them. Turn the robot upside down (in the water) to release any trapped air. The robot should now submerge. Ensure the cable is laid in an “S” shape on the decking/paving, and allow the robot to pull the cable into the water as required. (Do not throw all the floating cable into the pool)

Proceed to the control box, ensure you have turned on the power at the source (Red Light will illuminate on the control box, once the control box has power).

Press the Red button to turn the control box on.

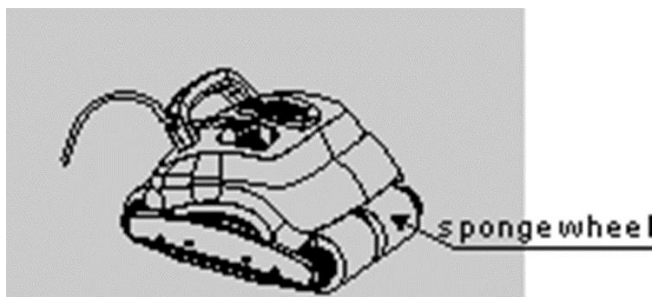
The Red power light will turn BLUE (indicating the robot is in the “Floor only” mode)

**NOTE:** This light will change to Green, when the Climb function is activated

If the Robot is not submerged, you will need to push the robot underwater, as soon as waterspouts from the top of it.

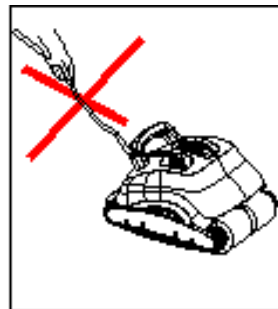
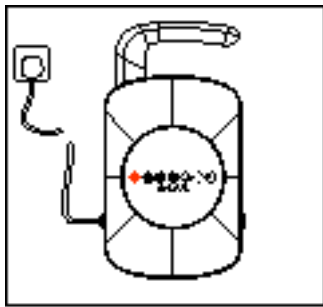
#### **IMPORTANT NOTES:**

- If the robot resurfaces, this means the sponge wheels are not fully saturated. (Squeeze the wheels until the air bubble stop coming out of them). Then recommence the start up procedures. (The green light will flash, indicating the robot is out of water)



- The sponge wheels play an integral role in the balance, and cleaning effectiveness of the robot. They may take up to 1 hour to fully saturated. Please keep the robot on the FLOOR ONLY MODE (Climb/Power light showing Blue) for the initial 1 hour cycle.

- The Robo-Tek will extract dirt from your pool that you cannot even see from standing alongside your pool. Therefore, on the initial clean, the filter bag may fill very quickly. It is best to stop the pool cleaner after 10 mins to see how dirty the filter bag is. If the filter bag is no longer white, or has a large number of leaves inside, then please clean it, and start another 10 minute cycle. If the filter bag still looks good after 10 minutes, allow the robot to complete the 1-hour cleaning time.
- NOTE: Once the initial clean has been performed, it will not be necessary to clean the filter bag mid cycle
- When the cleaning cycle is completed, Unplug the 100V/240v socket. Pull the robot out of the pool by the handle on the Pool Cleaner. NOTE: Do not lift the Pool Cleaner out of the water by using the floating cable.



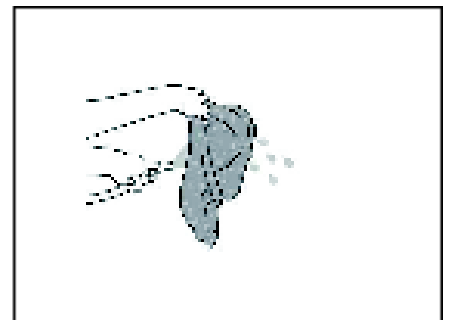
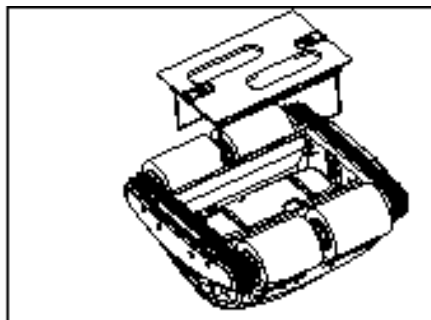
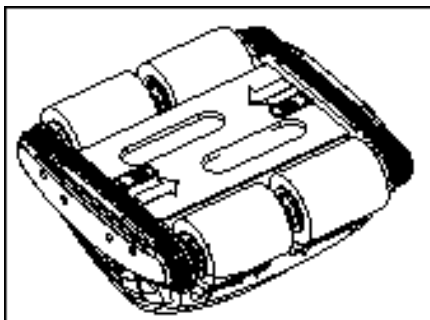
#### 4. Removing the Base Plate and cleaning the Filter Bag:

Unlock the Latches on the Base Plate to remove the Filter Bag from Base Plate. When cleaning the bag remove the major particles and place them in the bin, they will usually be in the corners of the bag. To make the filter bag easier to clean, you can turn it inside out, and place it back over the base plate wire frame. Then squirt water at it, using a trigger hose.

Once clean, allow the filter bag to dry, before re-installing it into the base of the robot, ready for the next clean.

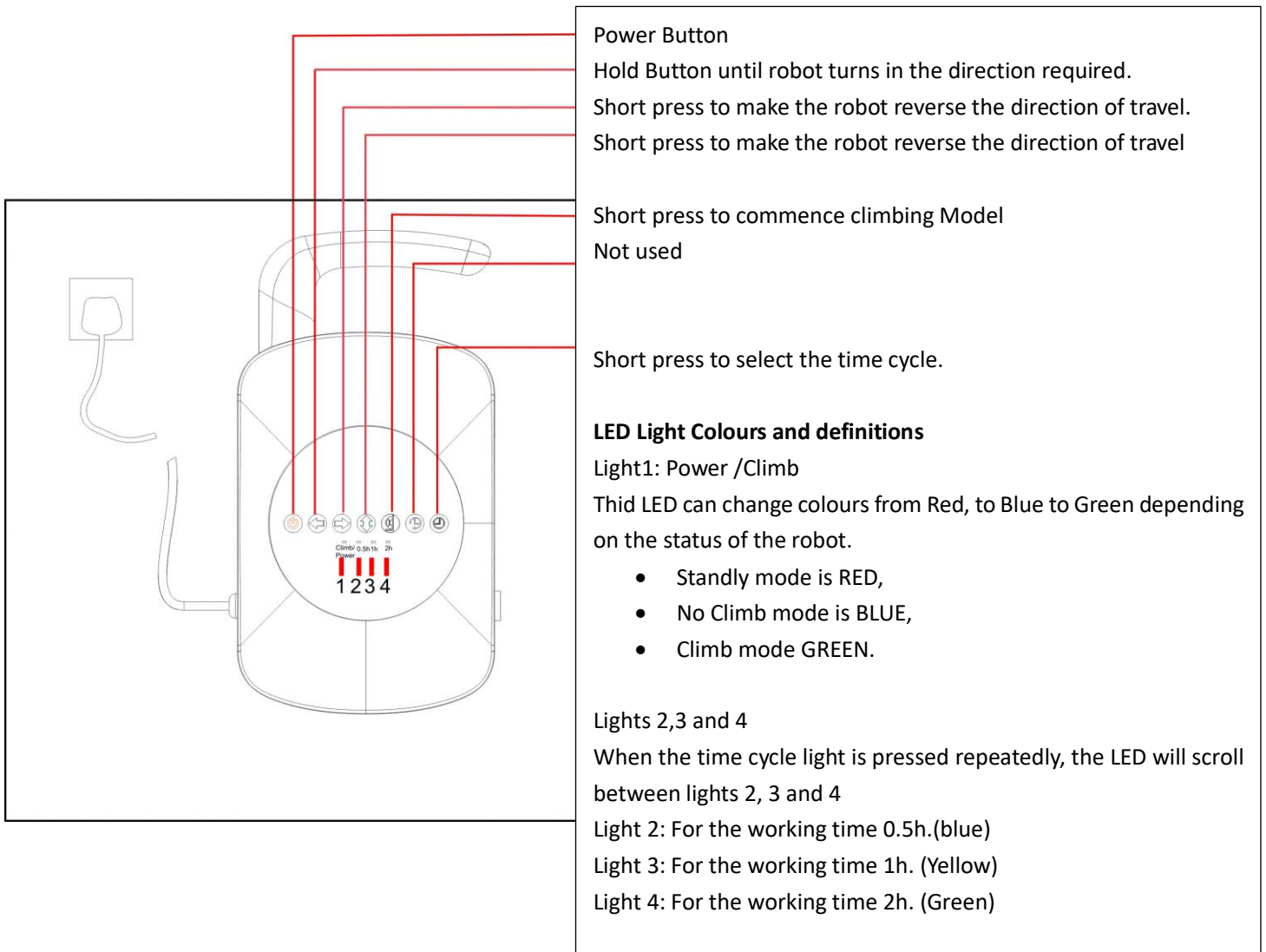
(Note: when re-fitting the Filter Bag to the Base Plate, please ensure the "SHORT SIDE" tag is at one of the short ends of the base plate).

NOTE: For optimal cleaning, we recommend placing the filter bag in your washing machine once a month.



At the end of the cleaning cycle, place the robot on the caddy, disconnect the floating cable from the control box, wind the floating cable in a circle by hand and place it on the caddy hanging bracket. Then wheel the caddy to a dry, well-ventilated shaded area.

## 5. Control Box Buttons and functions



## 6. Troubleshooting:

Common fault	Reason	Solution	Remarks
Pool Cleaner doesn't work	Connection is wrong.	Plug in the Power lead, turn on.	Please turn off the power before you perform any maintenance on the Pool Cleaner.
		Check the connection.	
Debris not being collected	Impeller is jammed or dirty.	Check the Impeller.	
	Impeller is damaged.	Replace the Impeller.	
	Filter Bag is full.	Clean the Filter Bag.	
	Impeller cover is missing	Replace Impeller cover	
Pool Cleaner is turning in one direction only	Drive Belt is loose. or broken at one side.	Replace the Drive Belt.	
	The Filter Bag is full	Clean the Filter bag.	
Pool Cleaner will not sink to the bottom of the pool	The Sponge Wheels are not saturated.	You must hold Pool Cleaner in water and make sure Sponge wheel are soft	
	It has air inside the Pool Cleaner	Invert Pool Cleaner and make sure air is released, then re-invert.	
Dirt is coming through the Impeller Cover.	Belt of Filter Bag is loose or broken.	Replace broken Filter Bag or Replace with a finer Filter Bag.	
	Dirt is too fine or the Filter Bag	Run Pool Filter simultaneously over the next 2 days with the pool cleaner.	

**Note:** The power MUST BE DISCONNECTED from the Control Box prior to conducting any maintenance on the Pool Cleaner, Contact your local distributor, or place of purchase for problems not covered in Trouble Shooting Guide.